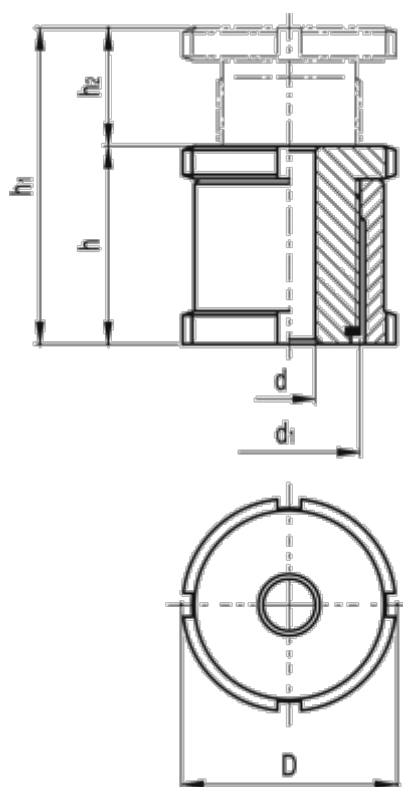


Article number: 20662270B  
Description: E+G Levelling set  
GN 350-80-33-A-NI

## Measures



C-spanner DIN 1810 = A80-90  
d = 33.0  
D = 80  
d1 = M60x2  
For screw = M30  
h = 76  
h1 = 126  
h2 = 50

Max static load (N) = 323.0  
Static preload (N) = 118.6  
Weight (g) = 1875